



DEPARTMENT OF REGULATORY AND ECONOMIC RESOURCES (RER)
BOARD AND CODE ADMINISTRATION DIVISION

NOTICE OF ACCEPTANCE (NOA)

MIAMI-DADE COUNTY
PRODUCT CONTROL SECTION
11805 SW 26 Street, Room 208
T (786) 315-2590 F (786) 315-2599
www.miamidade.gov/economy

Dorma Door Control, Inc.
1003 West Broadway
Steellville, IL 62288

SCOPE:

This NOA is being issued under the applicable rules and regulations governing the use of construction materials. The documentation submitted has been reviewed and accepted by Miami-Dade County RER-Product Control Section to be used in Miami-Dade County and other areas where allowed by the Authority Having Jurisdiction (AHJ).

This NOA shall not be valid after the expiration date stated below. The Miami-Dade County Product Control Section (In Miami-Dade County) and/ or the AHJ (in areas other than Miami-Dade County) reserve the right to have this product or material tested for quality assurance purposes. If this product or material fails to perform in the accepted manner, the manufacturer will incur the expense of such testing and the AHJ may immediately revoke, modify, or suspend the use of such product or material within their jurisdiction. RER reserves the right to revoke this acceptance, if it is determined by Miami-Dade County Product Control Section that this product or material fails to meet the requirements of the applicable building code.

This product is approved as described herein, and has been designed to comply with the Florida Building Code, including the High Velocity Hurricane Zone.

DESCRIPTION:

Dorma Series "9700 Rim Panic Exit Devices w/ wo HC 1300 mullion - Component Approval

APPROVAL DOCUMENT: Drawing No. 9700-1 DADE, titled "Dorma 9700/ 9700F Rim Exit devices on 16 ga. Flush Steel Doors", sheets 1 thru 3 of 3, prepared by manufacturer, dated 09/13/11, with revision "2" dated 06/16/15, prepared by Building Drops, Inc., signed and sealed by Hernes F. Norero, P.E., bearing the Miami-Dade County Product Control Revision stamp with the Notice of Acceptance number and expiration date by the Miami-Dade County Product Control Section.

MISSILE IMPACT RATING: Large and Small Missile Impact Resistant

LIMITATION:

1. The Panic Exit Devices to be used in approved outswing opaque 16 ga. steel door (48 W x 96 H Panel max) w/ 16 ga. frame system, having current NOA(s). Lower design of doors or this component approval shall control.
2. Pair of Steel Doors w/ 9700 Rim Panic must be used with Dorma's HC1300 mullion and be installed as shown on sheet 3 of this approval.
3. Electrical devices, fire rating and egress requirements are not part of the review and such application to be reviewed and approved by AHJ (Authority Having Jurisdiction).

RENEWAL of this NOA shall be considered after a renewal application has been filed and there has been no change in the applicable building code negatively affecting the performance of this product.

TERMINATION of this NOA will occur after the expiration date or if there has been a revision or change in the materials, use, and/ or manufacture of the product or process. Misuse of this NOA as an endorsement of any product, for sales, advertising or any other purposes shall automatically terminate this NOA. Failure to comply with any section of this NOA shall be cause for termination and removal of NOA.



R.
2/25/16

NOA No. 15-0630.03
Expiration Date: December 22, 2021
Approval Date: March 03, 2016
Page 1



DEPARTMENT OF REGULATORY AND ECONOMIC RESOURCES (RER)
BOARD AND CODE ADMINISTRATION DIVISION

MIAMI-DADE COUNTY
PRODUCT CONTROL SECTION
11805 SW 26 Street, Room 208
T (786) 315-2590 F (786) 315-2599

NOTICE OF ACCEPTANCE (NOA)

www.miamidade.gov/economy

Dorma Door Control, Inc.
1003 West Broadway
Steelville, IL 62288

ADVERTISEMENT:

The NOA number preceded by the words Miami-Dade County, Florida, and followed by the expiration date may be displayed in advertising literature. If any portion of the NOA is displayed, then it shall be done in its entirety.

INSPECTION:

A copy of this entire NOA shall be provided to the user by the manufacturer or its distributors and shall be available for inspection at the job site at the request of the Building Official.

This NOA revises and renews NOA No. 11-0916.04 and consists of pages 1 and 2, and evidence pages E-1 and E-2, as well as approval document mentioned above.

The submitted documentation was reviewed by **Jorge M. Plasencia, P.E.**



*J.P.
2/25/16*

NOA No. 15-0630.03
Expiration Date: December 22, 2021
Approval Date: March 03, 2016
Page 2

NOTICE OF ACCEPTANCE: EVIDENCE SUBMITTED

A. DRAWINGS

1. Manufacturer's die drawings and sections.
(Submitted under previous NOA No. 11-0916.04)
2. Drawing No. 9700-1 DADE, titled "Dorma 9700/9700F Rim Exit devices on 16 ga. Flush Steel Doors", sheets 1 thru 3 of 3, prepared by manufacturer, dated 09/13/11, with revision "2" dated 06/16/15, prepared by Building Drops, Inc., signed and sealed by Hermes F. Norero, P.E.

B. TESTS

1. Test reports on:
 - 1) Air Infiltration Test, per FBC, TAS 202-94
 - 2) Uniform Static Air Pressure Test, Loading per FBC TAS 202-94
 - 3) Water Resistance Test, per FBC, TAS 202-94
 - 4) Large Missile Impact Test per FBC, TAS 201-94
 - 5) Cyclic Wind Pressure Loading per FBC, TAS 203-94
 - 6) Forced Entry Test, per FBC 2411 3.2.1, TAS 202-94along with marked-up drawings and installation diagram of Flush Outswing Steel doors w/ Rim Panic Exit w/ mullion, prepared by Intertek, Inc., Test Report No. **G100329651MID-001B (ITSW11001)**, dated 07/26/11, signed and sealed by Rick Curkeet, P.E.
(Submitted under previous NOA No. 11-0916.04)

C. CALCULATIONS

1. Anchor verification calculations and structural analysis, complying with FBC, dated 11/19/11 prepared by Building Drops, Inc., signed and sealed by Alexis Spyrou, P. E.
(Submitted under previous NOA No. 11-0916.04)

D. QUALITY ASSURANCE


1. Miami-Dade Department of Regulatory and Economic Resources (RER).

E. MATERIAL CERTIFICATIONS

1. None (N/A).

F. STATEMENTS

1. Statement letter of conformance, complying with **FBC-5th Edition (2014)**, and of no financial interest, dated 06/03/15, issued, signed and sealed by Hermes F. Norero, P.E.
2. Notification of Successor Engineer for manufacturer's NOA document per **Section 61G15-27.001** of the **Florida Administrative Code**, notifying original engineer that the successor engineer is assuming full professional and legal responsibility for all engineering documents pertaining to this NOA, dated 06/16/15, signed and sealed by Hermes F. Norero, P.E.


Jorge M. Plasencia, P.E.
Product Control Unit Supervisor
NOA No. 15-0630.03
Expiration Date: December 22, 2021
Approval Date: March 03, 2016

Dorma Door Control, Inc.


NOTICE OF ACCEPTANCE: EVIDENCE SUBMITTED

F. STATEMENTS (CONTINUED)

3. Laboratory addendum letters for Test Report No. **G100329651MID-001B (ITSW11001)**, dated 11/07/11, issued by Intertek, Inc., signed and sealed by Rick Curkeet, P.E.
(Submitted under previous NOA No. 11-0916.04)
4. Laboratory compliance letters for Test Report No. **G100329651MID-001B (ITSW11001)**, dated 07/26/11, issued by Intertek, Inc., signed and sealed by Rick Curkeet, P.E.
(Submitted under previous NOA No. 11-0916.04)
5. Merger agreement between Dorma Door Control, Inc. and Dorma Steelville, Inc. dated 02/28/03, both signed by Paul T. Kosakowaski, president.
(Submitted under previous NOA No. 11-0916.04)

G. OTHERS

1. Notice of Acceptance No. **11-0916.04**, issued to Dorma Door Control, Inc., for their "Dorma Series **9700 Rim Panic Exit Devices w/wo HC 1300 mullion (Component Approval)**", approved on 12/22/11 and expiring on 12/22/16.



Jorge M. Plasencia, P.E.
Product Control Unit Supervisor
NOA No. 15-0630.03
Expiration Date: December 22, 2021
Approval Date: March 03, 2016

DORMA 9700/F9700 Rim Exit Device

Item	Description	Pl. No./Matl	Qty.
1	Approved 16 ga. door & 16 ga. frame under separate NOA.		1
2	DORMA 9700/F9700 Chas. Cast steel		1
3	Touch bar and railassy.		1
4	3/8" Diameter Thru bolts		2
5	Outside trim assembly	See notes:	1
6	12-24 x 1 1/2" PHRHMS	Gr. 2 Steel	8
7	Chassis cover		1
8	Hinges	Part of sep. NOA.	4
9	Strike #463	Malleable iron	1
10	Strike shims	Steel	2
11	Strike angle	Stainless steel	1
12	DORMA HC1300 removable Steel mullion		1
13	Mullion adapter bottom	Steel	1
14	Bottom fitting	Malleable cast	1
15	Mounting plate	Steel	1
16	Kwikbolt 3 exp. anchors	Steel	2
17	Honeycomb or FBC approved core		2
18	Top mullion fitting	Steel	1
19	Top mullion adapter	Steel	1

DORMA 9700/F9700 Rim Panic Exit Device
Design pressure for single or pairs with DORMA HC1300 Mullion.
65 PSF Positive
65 PSF Negative

DORMA 9700/F9700 Narrow Stille Rim Panic Exit Devices w/wo DORMA HC1300 Mullion Application
On Impact Flush Outswing Single And Pair Steel Doors Having Current NOA or Current HVHZ Florida State Approval

GENERAL NOTES

- Each device is approved to be used as an equal alternate in applicable 16 ga. (0.053" min.) frame and out swing 16 ga. (0.053" min.) commercial steel door holding a current NOA. Lowest design pressure rating of panic exit device or steel door shall control.
- Device shall be installed on an approved 16 ga. (0.053") commercial approved FBC core filled or honey comb steel door no larger than shown on this detail.
- Steel reinforcement (by door mfg., required as indicated on the detail drawing in this set.)
- Electrical devices are not part of this approval and must be reviewed by authority having jurisdiction in the area. (AHJ)

Certifications:
Underwriters Laboratories - UL10C, UBC7-2 (1997)
ANSI/HIWA A156.3 Grade 1 Exit device (2008)
3/4" latch bolt throw.

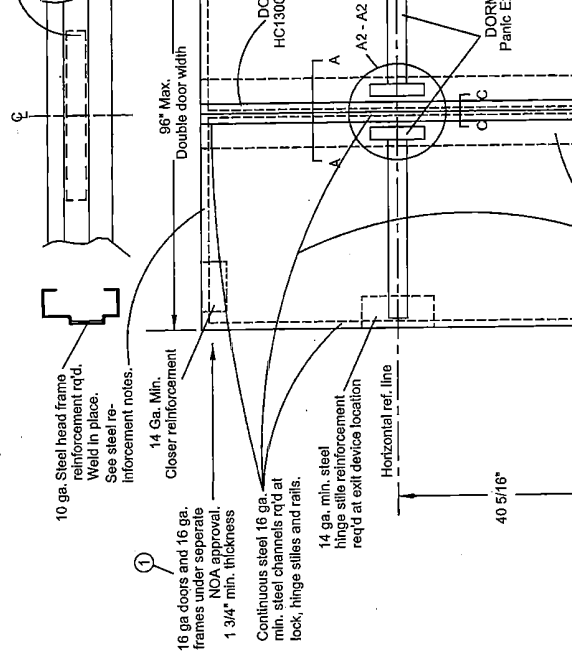
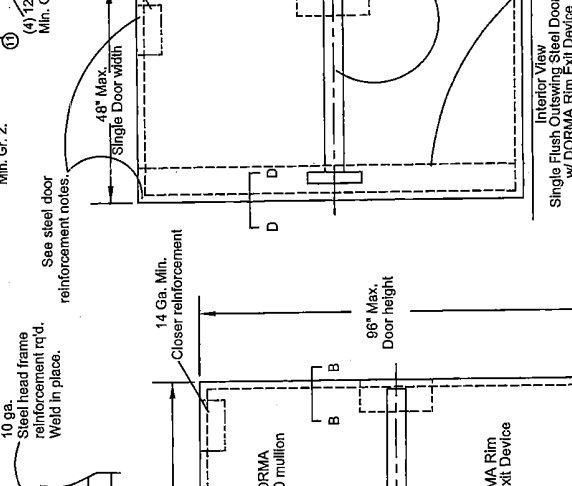
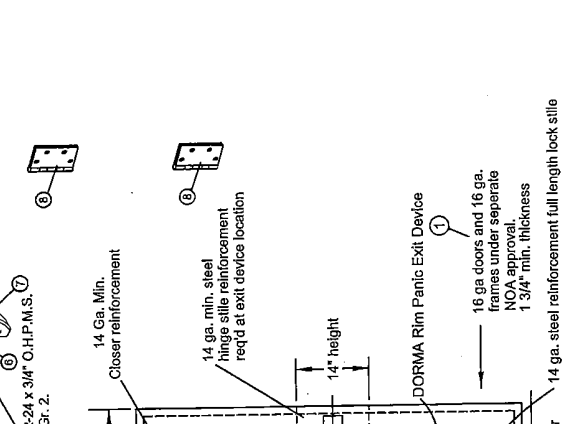
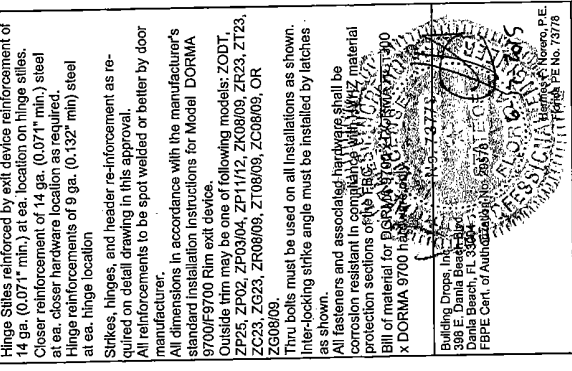
Frame - Steel 16 ga. (0.053" min.)
Hinge reinforcements of 9 ga. (0.132" min) steel at ea. hinge location.
14 ga. strike reinforcement in frame.
Header reinforced by 10 ga. (0.132" min.) steel bar.

Door - Steel 16 ga. (0.053" min.), Lock and Hinge stiles and top and bottom rails reinforced with full length 16 ga. (0.053" min.) steel channel.
Lock stiles reinforced by 14 ga. (0.071" min.) full length steel hardware reinforcement.

Hinge Stiles reinforced by exit device reinforcement of 14 ga. (0.071" min.) at ea. location on hinge stiles.
Closer reinforcement of 14 ga. (0.071" min.) steel at ea. closer hardware location as required.
Hinge reinforcements of 9 ga. (0.132" min) steel at ea. hinge location

Strikes, hinges, and header re-inforcement as required on detail drawing in this approval.
All reinforcements to be spot welded or better by door manufacturer.
All dimensions in accordance with the manufacturer's standard installation instructions for Model DORMA 9700/F9700 Rim exit device.
Outside trim may be one of following models: ZODT, ZP25, ZP02, ZP03/04, ZP11/12, ZK08/09, ZR23, Z123, ZC23, ZG23, ZR08/09, Z108/09, ZC08/09, OR ZG08/09.

Thru bolts must be used on all installations as shown. Inter-locking strike angle must be installed by latches as shown.
Frames and associated hardware shall be corrosion resistant in compliance with HVHZ material protection sections of the FBC. (Section 09110-2.3.00)
Bill of material for DORMA 9700/F9700 Rim Exit Device X DORMA 9700/F9700 Rim Panic Exit Device



DORMA
DORMA Door Controls, Inc.
1003 W. BROADWAY
STEELEVILLE, ILLINOIS 62288

SCALE: None DRAWN BY: TA DATE: 6/15/11
CND BY: DC DATE: 11/27/11

5th Edition FBC Update 2 LS 6-16-15
Rev. Per. Date Letter 10/31/11 1 TA 11-1-2011

REVISIONS NO. BY DATE

Sheet 1 of 3 Dwg. No. 9700-1 DADE

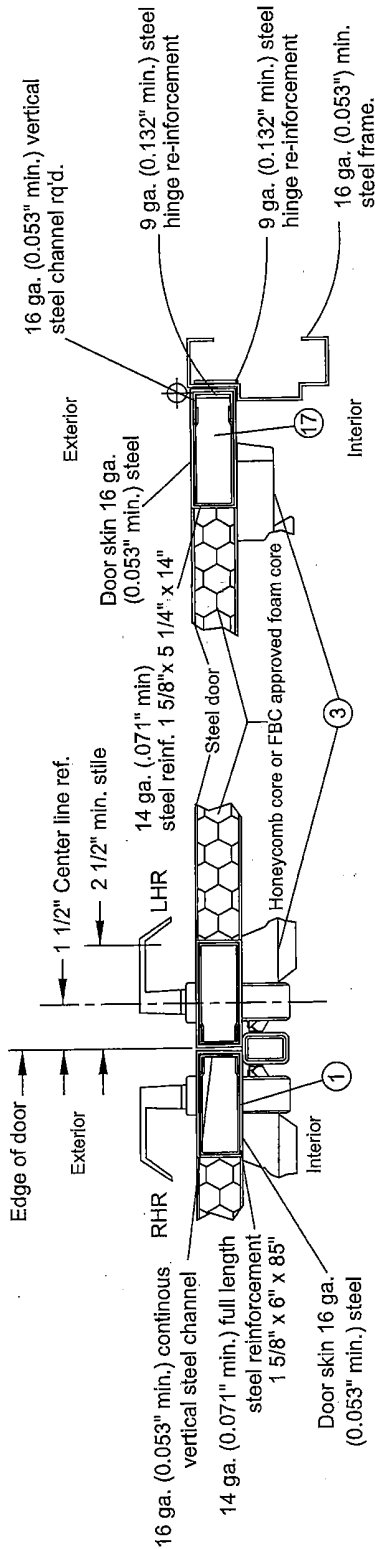
PRODUCT REVISED
as complying with the Florida Building Code
NOA-No. 15-0630.03
Expiration Date 12/22/2021

By: *[Signature]*
Miami-Dade Product Control



Building Drops, Inc.
398 E. Dania Beach Blvd.
Dania Beach, FL 33044
FBIPE Cert. of Authorization No. 55747 E.C. No. 73778
Professional Engineer, State of Florida, License No. 73778

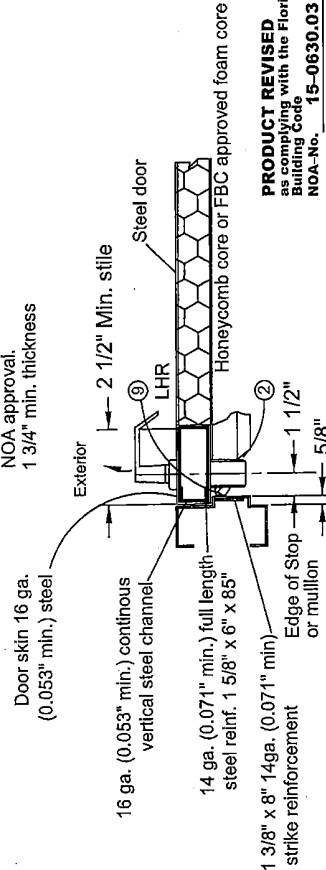
**DORMA 9700/F9700 Narrow Stile Rim Panic Exit Devices w/wo DORMA HC1300 Mullion Application
On Impact Flush Outswing Single And Pair Steel Doors Having Current NOA or Current HVHZ Florida State Approval**



**DORMA 9700/F9700 Rim Exit x DORMA 9700/F9700 Rim Exit
(Double Door Application)**
Section A - A

(Hinge Stile/Jamb)
Section B - B

NOTE:
16 ga doors and 16 ga.
frames under separate
NOA approval.
1 3/4\"/>



Section D - D (Lock Strike/Jamb)
Single flush outswing door
w/ DORMA 9700/F9700 Rim Exit Device

PRODUCT REVISED
as complying with the Florida
Building Code
NOA-No. 15-0630-03
Expiration Date 12/22/2021
By Miami-Dade Product Control

GENERAL NOTES

- Limitations:**
1. Each device is approved to be used as an equal alternate in applicable 16 ga. (0.053\"/>

Certifications:
Underwriter's Laboratories - UL10C, UBC7-2 (1997)
ANSI/SIHMA A156.3 Grade 1 Exit device (2008)
3/4\"/>

Frame - Steel 16 ga. (0.053\"/>

Door - Steel 16 ga. (0.053\"/>

Lock-stiles reinforced by 14 ga. (0.071\"/>

Hinge stiles reinforced by exit device reinforcement of 14 ga. (0.071\"/>

Strikes, hinges and header re-inforcement as re-quired on detail drawing in this approval.

All dimensions in accordance with the manufacturer's standard installation instructions for Model DORMA 9700/F9700 Rim exit device.

Outside trim may be one of following models: ZODT, ZP25, ZP02, ZP03/04, ZP11/12, ZK08/09, ZF23, ZT23, ZG23, ZG23, ZR08/09, ZT08/09, ZC08/09, OR ZG08/09.

Trim bolts must be used on all installations as shown. Inter-locking strike angle must be installed by latches as shown.

All fasteners and associated hardware shall be corrosion resistant in compliance with HVHZ material protection sections of the Florida Building Code 2000.

Bill of material for DORMA 9700/F9700 Rim Exit Device



5th Edition FBC Update	2	LS	6-16-15
Rev. Per Dade Letter 10/31/11	1	TA	11-1-2011
REVISIONS	NO.	BY	DATE
Sheet 2 of 3			
DWG. NO.	9700-1 DADA		

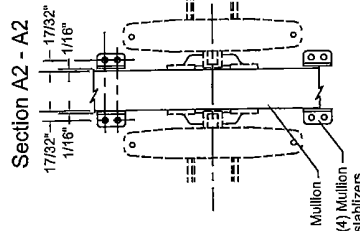
DESCRIPTION: DORMA 9700 Rim Exit Device on 16 ga. flush steel doors.
SCALE: None
DATE: 6/15/11
DATE: 11/2/11



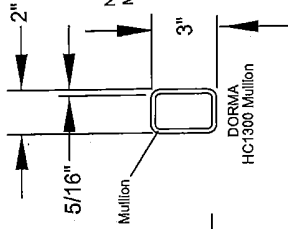
DORMA Door Controls, Inc.
1003 W. BROADWAY
STEELEVILLE, ILLINOIS 62288

**DORMA 9700/F9700 Narrow Sillie Rim Panic Exit Devices w/w DORMA HC1300 Mullion Application
On Impact Flush Outswing Single And Pair Steel Doors Having Current NOA or Current HVHZ Florida State Approval**

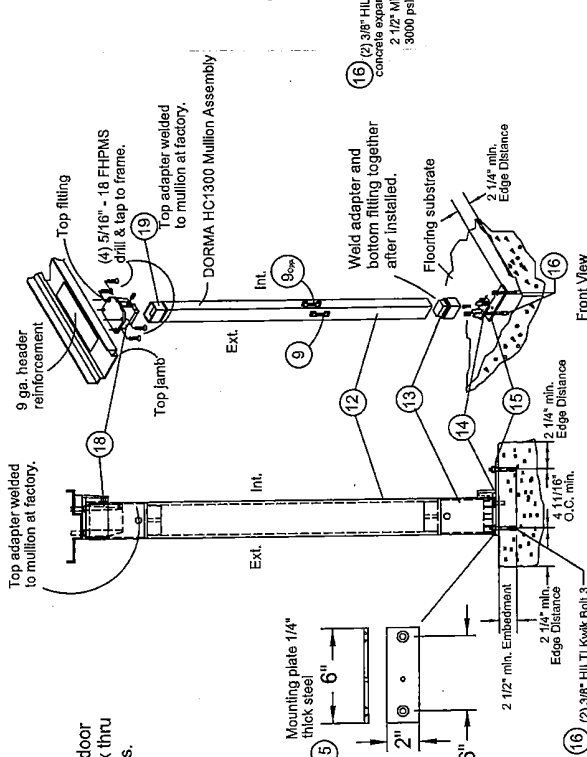
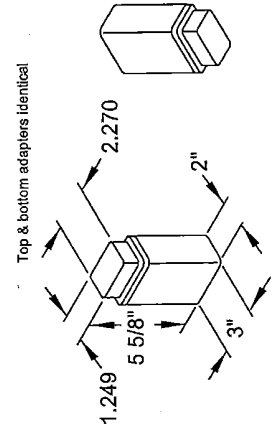
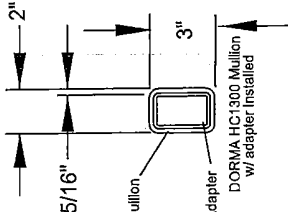
Section A2 - A2



ELEVATION VIEW
Stabilizers attached to door using (2) 12-24 x 3/4" x thru bolts each, (4) locations.



Notes:
Material: Carbon Steel Tubing 2 x 3 x 1/4 Wall
Structural ASTM A500-Grade B
Tensile Strength, 58000 psi.
Yield Strength, 46000 psi.
% Elongation in 2 inches; 23



Anchor detail

GENERAL NOTES

- Each device is approved to be used as an equal alternate in applicable 16 ga. (0.053" min.) frame and out swing 16 ga. (0.053" min.) commercial steel door holding a current NOA. Lowest design pressure rating of panic exit device or steel door shall control.
- Device shall be installed on a approved 10 ga. (0.035" min.) commercial approved FBC core filled or honey comb steel door no larger than shown on this detail.
- Steel reinforcement (by door mfg., required as indicated on the detail drawing in this set).
- Electrical devices are not part of this approval and must be reviewed by authority having jurisdiction in the area. (AHJ)

Certifications:
Underwriter's Laboratories - UL10C, UBCT-2 (1987)
ANSI/BHMA A156.3 Grade 1 Exit device (2008)
3/4" latch bolt throw.
Frame - Steel 16 ga. (0.053" min.)
Hinge reinforcements of 9 ga. (0.132" min) steel at ea. hinge location.
14 ga. strike reinforcement in frame.
Header reinforced by 10 ga. (0.132" min.) steel bar.

Door - Steel 16 ga. (0.053" min.) Lock and Hinge sills and top and bottom rails reinforced with full length 16 ga. (0.053" min.) steel channel.
Lock sills reinforced by 14 ga. (0.071" min.) full length steel hardware reinforcement.
Hinge Sills reinforced by exit device reinforcement of 14 ga. (0.071" min.) at ea. location on hinge sills.
Closer reinforcement of 14 ga. (0.071" min.) steel at ea. closer hardware location as required.
Hinge reinforcements of 9 ga. (0.132" min) steel at ea. hinge location

Strikes, hinges, and header re-inforcement as required on detail drawing in this approval.
All reinforcements to be spot welded or better by door manufacturer.
All dimensions in accordance with the manufacturer's standard installation instructions for Model DORMA 9700/F9700 Rim exit device.
Outside trim may be one of following models: ZODT, ZP25, ZP02, ZP03/04, ZP11/12, ZK08/09, ZR23, ZT23, ZC23, ZG23, ZR08/09, ZT08/09, ZC08/09, OR ZG08/09.
Trim bolts must be used on all installations as shown. Inter-locking strike angle must be installed by latches as shown.
All fasteners and associated hardware shall be corrosion resistant in compliance with HVHZ material protection sections of the FBC.
Bill of material for DORMA 9700 kBORWAHC1300 x DORMA 9700 hardware.



5th Edition FBC Update	2	LS	6-16-15	
Rev. Per Date Letter	10/31/11	1	TA	11-1-2011
REVISIONS	NO.	BY	DATE	
Sheet 3 of 3	9700-1 DADE			
DRW. NO.				

DORMA
DORMA Door Controls, Inc.
1003 W. BROADWAY
STEELEVILLE, ILLINOIS 62288

DESCRIPTION: DORMA 9700 Rim Exit Device on 16 ga. flush steel doors.

SCALE: None DRAWN BY: TA DATE: 6/15/11
CHKD BY: DC DATE: 11/2/11

PRODUCT REVISED
as complying with the Florida Building Code
NOA-No. 15-0630-03
Expiration Date 12/22/2021
By Miami-Pared Product Control

Section C - C